

Ty-Rap®

T&B Catalog Number: FOS500-50-0
UPC Number: 78621071229
Description: Cable Tie 50lb 18" Black Polyethylene/Nylon FOS Strip

Status: Active

General	
Material	Nylon
Color	Black
Dimension Information	
Length (inches)	18
Width (inches)	.750
Max. Wire Bundle Diameter (inches)	5
Specifications	
Tensile Strength (lbs.)	50
Temperature Rating	-40°F to 220°F
Packaging	
T&B Inner Pack	10
Package in Units	1000
Package Type	Regular
T&B Sold in UOM	Each
T&B Weight Per UOM	2 lbs. per 100
Application Support	
T&B Sales Drawings	wsd-000067
Overview	Available on Website
Material Selection Guide	Available on Website

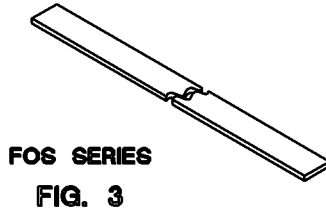
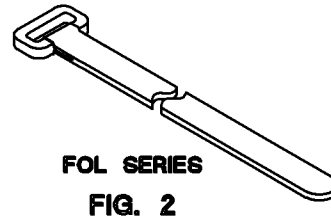
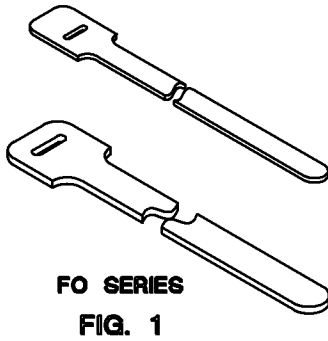


FIG.	TE SERIES	CATALOG NUMBER	MIN. TENSILE STRENGTH	MAX. BUNDLE DIAMETER	LENGTH	WIDTH	MATERIAL	MAX. TEMP. RATING
1	FO SERIES LOOP TIES	F0200-40-0	40LB (178N)	2" (50.8)	9' (228.6)	.5" (12.7)	LOW DENSITY POLYETHYLENE/NYLON	220°F (104.4°C)
		F0200-50-0	50LB (222.5N)			.75" (19.05)		
		F0350-40-0	40LB (178N)	3.5" (88.9)	13" (330.2)	.5" (12.7)		
		F0350-50-0	50LB (222.5N)			.75" (19.05)		
2	FOL SERIES BUCKLE TIES	FOL300-50-0	50LB (222.5N)	3" (76.2)	12" (304.8)	.75" (19.05)	NYLON	200°F (93.3°C)
		FOL500-50-0		5" (127)	18" (457.2)			
3	FOS SERIES STRIP TIES	FOS150-50-0	50LB (222.5N)	1.5" (38.1)	6" (152.4)	.75" (19.05)	LOW DENSITY POLYETHYLENE/NYLON	220°F (104.4°C)
		FOS320-50-0		3.2" (81.28)	12" (304.8)			
		FOS500-50-0		5" (127)	18" (457.2)			
4	FOR SERIES ROLL HOOK & LOOP	FOR180-50-0	50LB (222.5N)	VARIOUS	180" (4572)	.75" (19.05)	LOW DENSITY POLYETHYLENE/NYLON	220°F (104.4°C)

BLACK IS STANDARD COLOR
CONSULT CUSTOMER SERVICE FOR COLORS AND AVAILABILITY

GENERAL NOTES			
1. DIMENSIONS IN PARENTHESES () ARE IN METRIC UNITS.			
REVISIONS		DESCRIPTION:	
<input type="checkbox"/> SEE ERN ***** FOR APPROVAL SIGNATURES PROJECT NO: *****		TY-GRIP™ FASTENER	
		ORIGINAL PROJECT NO / (ERN NO)	SHEET NO:
		FM401147 / (2003287)	1 OF 1
		REV. NO:	DRAWING NO:
		—	WSD-000067

Hook and Loop Fasteners

New version available — UL94V-2 rated material.



FD Series Loop Ties



FOL Series Buckle Ties



FOS Series Strip Ties



FOR Series Rolled Hook and Loop

Wrap pre-determined bundle diameters using the convenient slotted head!

Polymer buckles provide added strength and stability.

Pre-cut lengths make bundling a cinch!

Rolled hook and loop material enables custom cut lengths, avoiding waste.

Fasteners available in these colors: Black, Brown, Red, Orange, Yellow, Green, Blue, Gray, and White. Please consult customer service for delivery and availability.

FO, FOL, FOS and FOR Series

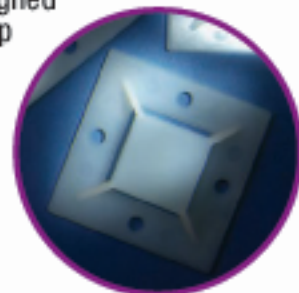
- High-quality Hook & Loop Fasteners designed specifically for Thomas & Betts
- Enables quick and convenient bundling of data and fiber optic cables
- Sizes available to accommodate varying bundle diameters
- Screw and adhesive mounting bases provide multiple mounting options

STD. PKG. CAT. NO.	MIN. TENSILE STRENGTH LBS./IN.	MAX. BUNDLE DIA. IN./MM.	LENGTH IN./MM.	WIDTH IN./MM.	STD. PKG. QTY.
*FO Series Loop Ties					
FO200-40-0	40/177.8	2.0/50.80	9/228.6	.50/12.7	10
FO200-50-0	50/222.4	2.0/50.80	9/228.6	.75/19.05	10
FO350-40-0	50/222.4	3.5/88.90	13/330.2	.50/12.7	10
FO350-50-0	50/222.4	3.5/88.90	13/330.2	.75/19.05	10
FOL Series Buckle Ties					
FOL300-50-0	50/222.4	3.0/76.20	12/304.8	.75	10
FOL500-50-0	50/222.4	5.0/127.0	18/457.2	.75	10
FOS Series Strip Ties					
FOS150-50-0	50/222.4	1.5/38.10	6/152.4	—	10
FOS320-50-0	50/222.4	3.2/81.28	12/304.8	—	10
FOS500-50-0	50/222.4	5.0/127.00	18/457.2	—	10
FOR Series Rolled Hook and Loop					
FOR180-50-0	50/222.4	Various	180/457.2	—	1

- Black is standard color.
 - Multiple colors available for identifying specific bundles
 - *Add — "FR" for UL94V-2 rated material, after color choice.
- Contact Customer Service for availability and delivery.

Two mounting bases designed for use with hook and loop fasteners.

Nylon 6.6 Mounting Bases



BULK PKG. CAT. NO.	DESCRIPTION	SCREW SIZE	MAXIMUM TIE WIDTH ACCOM.	BULK PKG. QTY.
TC368	2" x 2" Screw Mounted	#8	0.75/19.05	500
TC368A	2" x 2" Adhesive Mounted	#8	0.75/19.05	500

—40°F/-40°C to 178°F/80°C

- Natural nylon color.